

English version

**Marking of electrical and electronic equipment in accordance
with Article 11(2) of Directive 2002/96/EC (WEEE)**

Marquage des équipements
électriques et électroniques
conformément à l'Article 11(2)
de la Directive 2002/96/CE (DEEE)

Kennzeichnung von Elektro-
und Elektronikgeräten
entsprechend Artikel 11(2)
der Richtlinie 2002/96/EG (WEEE)

This European Standard was approved by CENELEC on 2006-03-01. CENELEC members are bound to comply with the CEN/CENELEC Internal Regulations which stipulate the conditions for giving this European Standard the status of a national standard without any alteration.

Up-to-date lists and bibliographical references concerning such national standards may be obtained on application to the Central Secretariat or to any CENELEC member.

This European Standard exists in three official versions (English, French, German). A version in any other language made by translation under the responsibility of a CENELEC member into its own language and notified to the Central Secretariat has the same status as the official versions.

CENELEC members are the national electrotechnical committees of Austria, Belgium, Cyprus, the Czech Republic, Denmark, Estonia, Finland, France, Germany, Greece, Hungary, Iceland, Ireland, Italy, Latvia, Lithuania, Luxembourg, Malta, the Netherlands, Norway, Poland, Portugal, Romania, Slovakia, Slovenia, Spain, Sweden, Switzerland and the United Kingdom.

CENELEC

European Committee for Electrotechnical Standardization
Comité Européen de Normalisation Electrotechnique
Europäisches Komitee für Elektrotechnische Normung

Central Secretariat: rue de Stassart 35, B - 1050 Brussels

Foreword

This European Standard was prepared by CENELEC BTTF 116-3, Waste from electrical and electronic equipment (WEEE).

The text of a draft amendment to EN 50419:2005 was submitted to the formal vote and was approved by CENELEC on 2006-03-01 to be combined and published as a new edition of EN 50419.

This European Standard supersedes EN 50419:2005 and its corrigendum February 2005.

The following dates were fixed:

- latest date by which the EN has to be implemented
at national level by publication of an identical
national standard or by endorsement (dop) 2006-06-01
- latest date by which the national standards conflicting
with the EN have to be withdrawn (dow) 2006-06-01

This European Standard was prepared under the mandate M/336 given to CENELEC by the European Commission and the European Free Trade Association and supports the essential requirements of Directive 2002/96/EC.

Contents

	Page
1 Scope.....	4
2 Normative references	4
3 Definitions	4
4 Marking	5
4.1 Requirements of marking.....	5
4.2 Design of the marking	5
4.3 Location of the marking	7
Bibliography.....	8

1 Scope

This European Standard specifies a marking

- of electrical and electronic equipment in accordance with Article 11(2) of Directive 2002/96/EC (WEEE);

NOTE This is in addition to the marking requirement in Article 10(3) of this Directive which requires producers to mark electrical and electronic equipment put on the market after 13 August 2005 with a 'crossed-out wheeled bin' symbol.

- that applies to electrical and electronic equipment falling under Annex IA of Directive 2002/96/EC, provided the equipment concerned is not part of another type of equipment that does not fall within the scope of this Directive. Annex IB of Directive 2002/96/EC contains an indicative list of the products, which fall under the categories set out in Annex IA of this Directive;
- that serves to clearly identify the producer of the equipment and that the equipment has been put on the market after 13 August 2005.

The definition of a technical carrier medium for identifying the producer, such as a barcode, electronic data medium or microchip, is not covered by this standard.

2 Normative references

The following referenced documents are indispensable for the application of this document. For dated references, only the edition cited applies. For undated references, the latest edition of the referenced document (including any amendments) applies.

ISO 8601:2004, *Data elements and interchange formats - Information interchange - Representation of dates and times*

3 Definitions

For the purposes of this document, the following terms and definitions apply.

3.1

electrical and electronic equipment

equipment which is dependent on electric currents or electro-magnetic fields in order to work properly and equipment for the generation, transfer and measurement of such currents and fields falling under the categories set out in Annex IA of Directive 2002/96/EC and designed for use with a voltage rating not exceeding 1 000 V for alternating current and 1 500 V for direct current

3.2

producer

any person who, irrespective of the selling technique used, including by means of distance communication in accordance with Directive 97/7/EC:

- a) manufactures and sells electrical and electronic equipment under his own brand; or
- b) resells under his own brand equipment produced by other suppliers, a reseller not being regarded as the 'producer' if the brand of the producer appears on the equipment, as provided for in point a), or;
- c) imports or exports electrical or electronic equipment on a professional basis into a Member State

4 Marking

4.1 Requirements of marking

In order to identify a) the producer and b) the equipment put on the market after 13 August 2005, the following markings shall be applied on the product:

- a) a unique identification of the producer. This can take the form of a brand name, trademark, company registration number or other suitable means to identify the producer. Whichever option is chosen this shall be recorded in the Member State's register of producers in accordance with Article 12(1) of Directive 2002/96/EC (WEEE);
- b) put on the market after 13 August 2005 shall be identified by at least one of the following options:
 - 1) the date of manufacture/put on the market, in un-coded text in accordance with ISO 8601 or other coded text, for which the code shall be made available for treatment facilities.

When using the representation of date according to ISO 8601, it is permitted to omit higher order components (truncation), if there is no risk of confusing these truncated representations with others;
 - 2) marking as shown in Figure 1 being an additional mark used in conjunction with the crossed-out wheeled bin in accordance with Annex IV of Directive 2002/96/EC already required under Article 10(3) of this Directive.

NOTE This does not exclude the use of both options at the same time.

The marking shall be visible, legible and indelible. For location, see 4.3.

4.2 Design of the marking

The additional marking referred to in 4.1 b) 2) shall consist of a solid bar, the height of which equals h and the width of which equals $1,2 a$. The height (h) of the bar shall be the greater of $0,3 a$ or 1 mm. The bar shall only be used in conjunction with the crossed-out wheeled bin. The bar shall not contain any text or any kind of additional information.

The symbol combination shown in Figure 1 shall have a minimum height of 7 mm ($a = 3,33$ mm).

NOTE 1 The dimension of 7 mm provides a vertical dimension of 5 mm for the crossed-out wheeled bin symbol, which is the same minimum dimension as provided for in EN 61429/A11 and for the CE mark according to the Directive 93/68/EEC. This also equates to a maximum reading distance of 50 cm of the crossed-out wheeled bin symbol for the minimum symbol height of 5 mm as derived from EN 80416-3 Clause 5.

The dimensional relationship shown in Figure 1 shall be maintained.

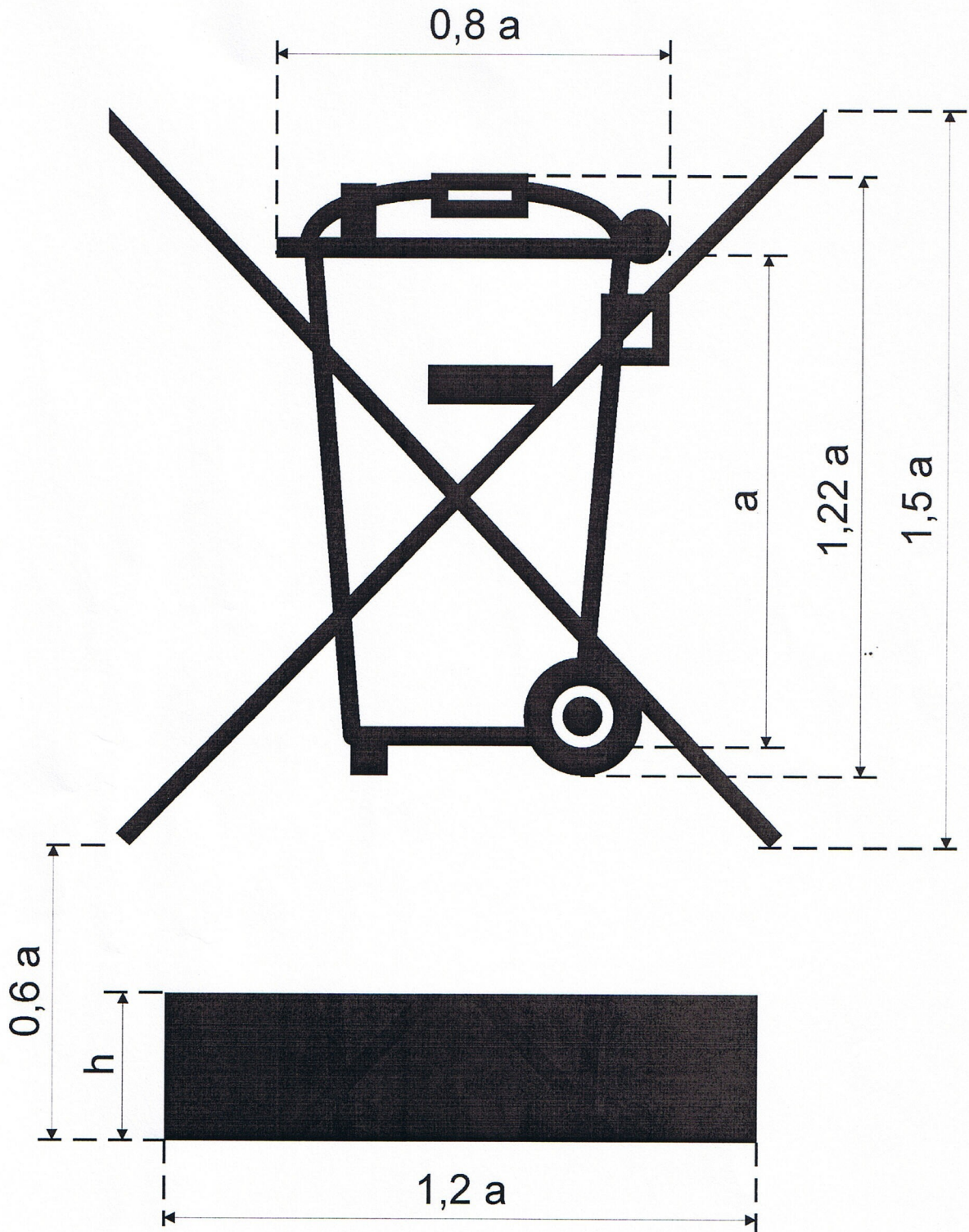


Figure 1 – Marking of electrical and electronic equipment as required by 4.1 b) 2)

NOTE 2 The symbol of the crossed out wheeled bin and the dimensional relationship are the same as required for batteries and defined in Figure 2 of EN 61429/A11.

When using the marking in Figure 1 modifications caused by production limitations and variations (e.g. modifying of line thickness, rounding of corners, matching of lines) are permitted provided the visual appearance is maintained.

In the absence of relevant product standards or if the relevant product standard does not include marking durability requirements, the following shall apply:

Compliance is checked by inspection and by rubbing by hand for 15 s with a piece of cloth soaked with water and again for 15 s with a piece of cloth soaked with petroleum spirit.

After this test, the marking shall be legible, it shall not be easily possible to remove the marking. If used, marking plates or labels shall show no curling.

NOTE 3 The petroleum spirit to be used for the test is aliphatic solvent hexane having a maximum aromatics content 0,1 % by volume, a kauri-butanol value of 29, an initial boiling point of approximately 65 °C, a dry point of approximately 69 °C and a specific mass of approximately 0,7 kg/l. When using petroleum spirit appropriate environmental, health and safety measures should be applied.

4.3 Location of the marking

The marking on the product shall be visible but if necessary after removal of a cover. For portable products it shall be possible to remove or open this cover without the aid of a tool, unless health and safety reasons as defined in other directives or standards require that a tool is needed to remove the cover.

If the size or function of the product means that either of the markings defined in 4.1 b) cannot be applied on the product, then the marking shall be printed on the packaging, in the instructions for use and in the warranty of the electrical and electronic equipment.

Bibliography

93/68/EEC Directive of 22 July 1993 amending Directives 87/404/EEC (simple pressure vessels), 88/378/EEC (safety of toys), 89/106/EEC (construction products), 89/336/EEC (electromagnetic compatibility), 89/392/EEC (machinery), 89/686/EEC (personal protective equipment), 90/384/EEC (non-automatic weighing instruments), 90/385/EEC (active implantable medicinal devices), 90/396/EEC (appliances burning gaseous fuels), 91/263/EEC (telecommunications terminal equipment), 92/42/EEC (new hot-water boilers fired with liquid or gaseous fuels) and 73/23/EEC (electrical equipment designed for use within certain voltage limits)

EN 80416-3:2002, *Basic principles for graphical symbols for use on equipment - Part 3: Guidelines for the application of graphical symbols*

EN 61429:1996/A11:1998, *Marking of secondary cells and batteries with the international recycling symbol ISO 7000-1135 and indications regarding directives 93/86/EEC and 91/157/EEC*
